



Product categories



Meat



Chicken



Pre-packed fish



Delicatessen



Cheese



Dairy products



Pre-packed fruit&veg



Fruit and Vegetables



Sandwiches



Drinks

Technical features



Ventilated



Incorporated condensing unit



LED lighting



High efficiency fans



Electric defrost



R290

Propane refrigerant gas (R290)

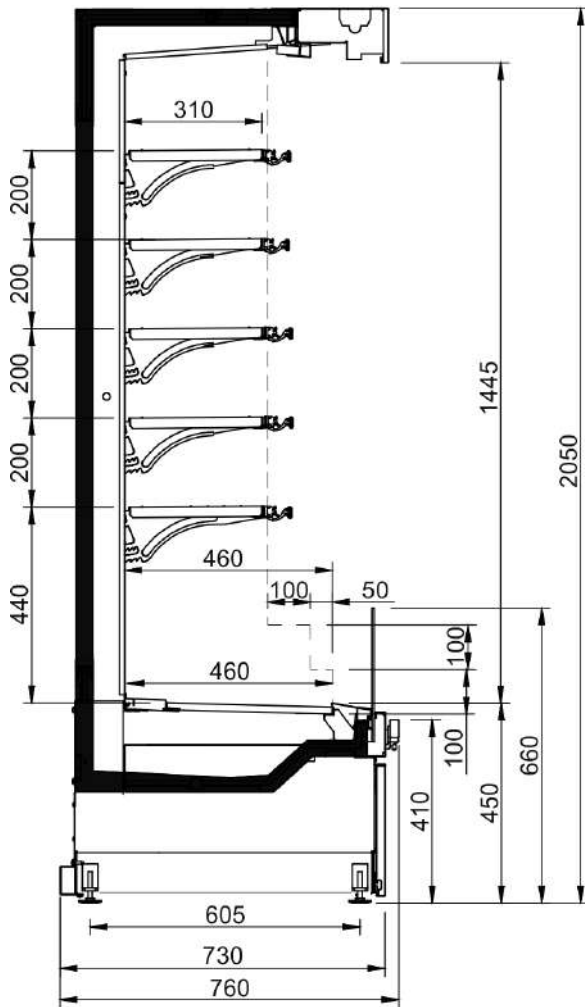


Product range

GINGER					
Lenght-Lunghezza Longueur-Länge-Longitud mm		937	1250	1875	2500
GINGER	C	•	•	•	•
	N	•	•	•	•
Dispaly area Superficie di esposizione Warenpräsentationsfläche Surface d'exposition Superficie expositiva m2	C	2.33	2.82	3.80	4.77
	N	2.76	3.25	4.22	5.20
Loading area Superficie di appoggio Nutzfläche Surface de chargement Superficie de apoyo m2	C	0.73	0.95	1.41	1.86
	N	0.87	1,14	1.68	2.22
Net storage capacity Capacità netta Nutzinhalt volume utile Capacitat neta dm3	C	443	591	887	1182
	N	642	857	1285	1713
End thickness Spessore spalla Stärke der Seitenwand Épaisseur de cheque joue Espesor lateral mm	C	30.00			
	N				
Dimensions Dimensioni Größe Dimensiones LxAxP mm	C	1000x2050x730	1315x2050x730	1940x2050x730	2565x2050x730
	N	1000x2050x870	1315x2050x870	1940x2050x870	2565x2050x870

Cross Sections

GINGER C



GINGER N

